

**HYDRA-FLEX INC**

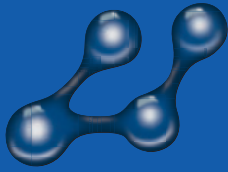
## **BLAST-TEC PRO 324 ROTATING NOZZLE**

The BLAST-TEC PRO 324 has been designed specifically for your heavy-duty car wash applications. These long-lasting nozzles will handle up to 1,000 PSI and provide a zero-degree straight water stream with a 24-degree angle of coverage. This design provides greater impact and superior cleaning compared to other nozzles.



### **BENEFITS**

- HEAVY DUTY DESIGN FOR THE CAR WASH INDUSTRY
- CORROSION RESISTANT STAINLESS STEEL HOUSING
- PRECISION MACHINED BEARING FOR VERY HIGH WEAR RESISTANCE
- TUNGSTEN CARBIDE WEAR SURFACES OFFER LONG LIFE AND SMOOTH OPERATION—DOES NOT SHATTER LIKE CERAMIC SEATS AND TIPS
- ROTATIONAL SPEED IS TUNED FOR OPTIMUM RPMs AND CLEANING EFFICIENCY
- MINIMAL NUMBER OF COMPONENTS, REDUCING COMPLEXITY FOR BETTER RELIABILITY—LASTS FIVE TIMES LONGER THAN THE COMPETITION
- NOZZLES ARE REBUILDABLE FOR EXTENDED LIFE AND LOWER OVERALL OPEARATING COSTS



**HYDRA-FLEX INC**

## BLAST-TEC PRO 324 ROTATING NOZZLE



### BLAST-TEC PRO 324 Rotating Nozzle Order Information

Part Number	Nozzle Number	Flow Rate (@1000 psi)	Angle	Body Material
1001106	2.0	1.00 gpm	24°	Stainless Steel
1001107	3.0	1.50 gpm	24°	Stainless Steel
1001108	3.5	1.75 gpm	24°	Stainless Steel
1001109	4.0	2.00 gpm	24°	Stainless Steel
1001110	4.5	2.25 gpm	24°	Stainless Steel
1001111	5.0	2.50 gpm	24°	Stainless Steel
1001112	5.5	2.75 gpm	24°	Stainless Steel
1001113	6.0	3.00 gpm	24°	Stainless Steel

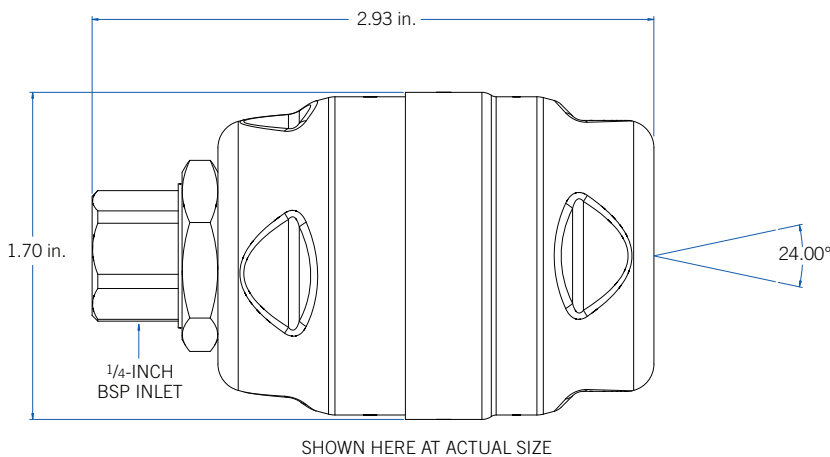
### Specifications

- Maximum Inlet Pressure: 1,000 psi
- Angle (coverage): 24°
- Impact (impingement): Very good up to 32 inches
- Maximum Temperature: +120°F (+49°C)
- Housing Material: Stainless steel
- Flow Rate: 1.0 gpm to 3.0 gpm
- Weight: 0.5 lbs.

### Repair Kit, Order Information

Includes: Rotor, Seat, Seat Retainer, Rubber Boot and O-Ring.

Part Number	Nozzle Number
1000273	2.0
1001088	3.0
1000274	3.5
1001089	4.0
1001090	4.5
1001091	5.0
1001092	5.5
1001093	6.0



Hydra-Flex, Inc.  
680 East Travelers Trail  
Burnsville, MN 55337

952.808.3640 T  
952.808.3650 F

www.hydraflexinc.com  
info@hydraflexinc.com

©2009 Hydra-Flex, Inc. All rights reserved. PN 3000164 revB0609